

FRONT VIEW

Hinged lid is recessed for carpet insert and opens wide for easy access to devices. Lid closes flush with floor while in use.

FEATURES

Provides interconnection point between access floor wiring systems and workstation equipment cables.

Box constructed of 2 mm galv. steel

ELECTRICAL

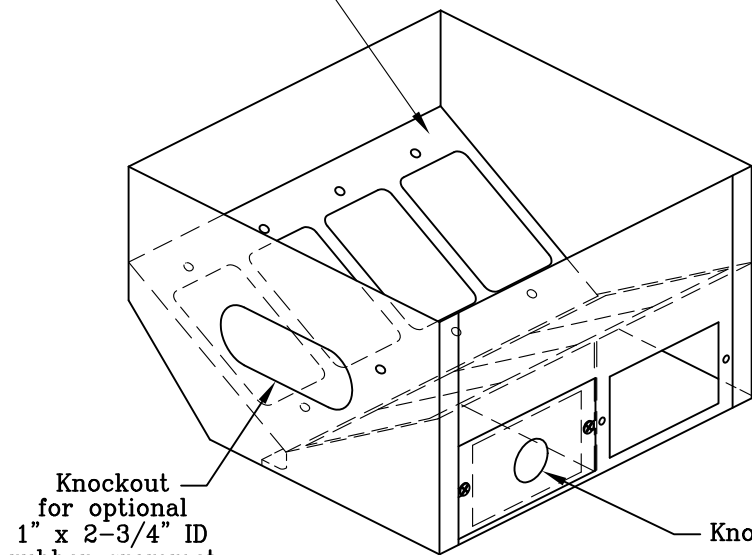
Rated at 20 amp/120V AC for duplex receptacles

MOUNTING

Mounts into 8-3/4" square cutout in floor panel.

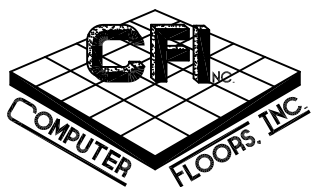
Requires a min. of 5" F.F.H.

Data Plate
For Four Optional data/comm device plates



REAR VIEW

(SHOWN WITH LID REMOVED)



COMPUTER FLOORS, INC.

19 RICHMOND STREET
CLIFTON, NEW JERSEY 07011
(973) 340-3666 (888) 564-4998

www.computerfloors.us

TITLE:

ASM RFB100
RAISED FLOOR
SERVICE BOX

SCALE: NONE