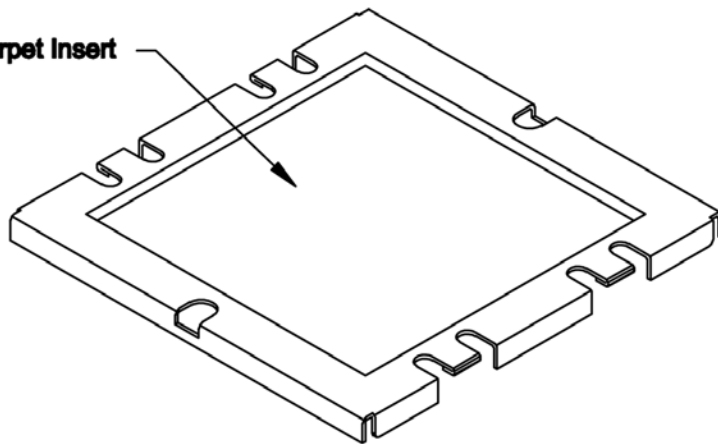
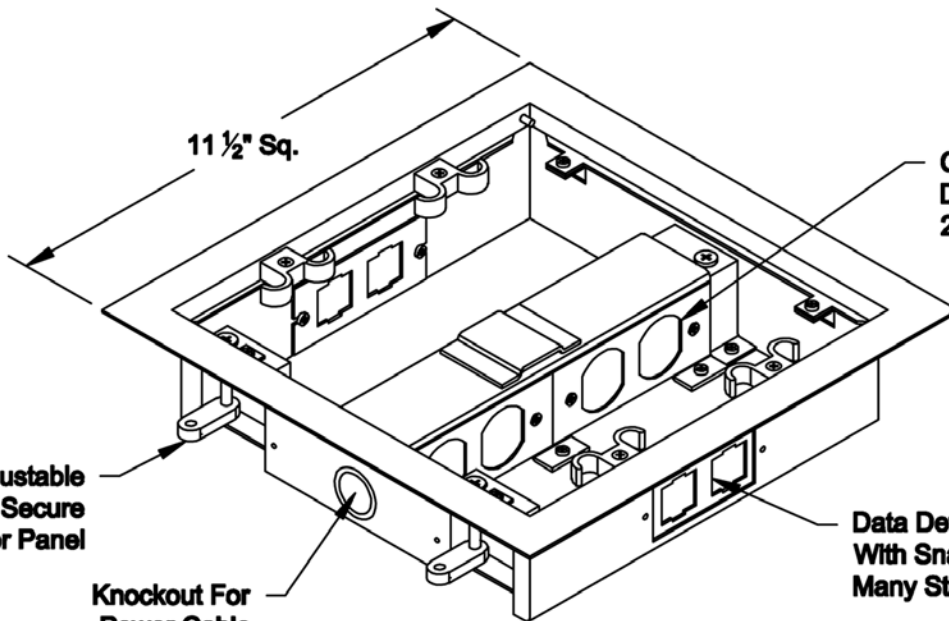


Lid Is Recessed For Carpet Insert



Lid Hinges In Both Directions Or Lifts Out For Easy Access To Power And Data Devices. Lid Closes Flush With Floor.

11 1/2" Sq.



Three Adjustable Clamps To Secure Box Into Floor Panel

Knockout For Power Cable

Cover Plate For Duplex Receptacle 2 Each Side

Data Device Plate On Each Side With Snap-In Adapters For Many Standard Jacks / Couplers



Additional Features

Provides Interconnection Point Between Raised Access Floor Wiring Systems And Workstation Equipment Cables.

Box Is Constructed Of Painted Heavy Gauge Steel

Electrical

Rated At 20 Amp/120V AC For (4) Duplex Receptacles

Finishes

Lid And Box Is Available In Black Color Only

Mounting

Mounts Into A Minimum 10 1/8" Square Cutout In Floor Panel.

Requires A Min. 2 1/2" F.F.H.



COMPUTER FLOORS, INC.

19 RICHMOND STREET
CLIFTON, NEW JERSEY 07011
(973) 340-3666 (888) 564-4998

www.computerfloors.us

TITLE:

**RFB-100LP
LOW-PROFILE
ELECTRICAL BOX**

SCALE: NONE