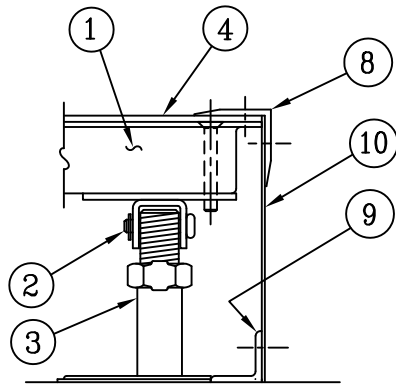
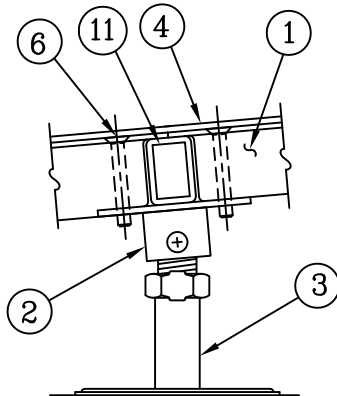


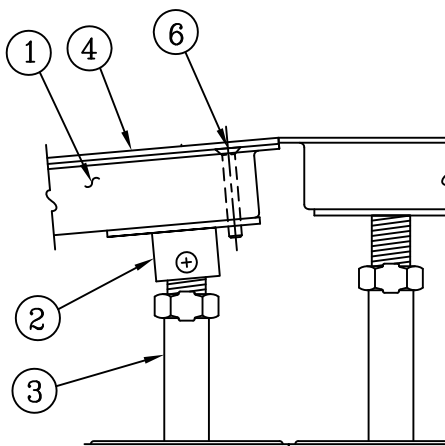
SECTION A  
AT BOTTOM OF RAMP



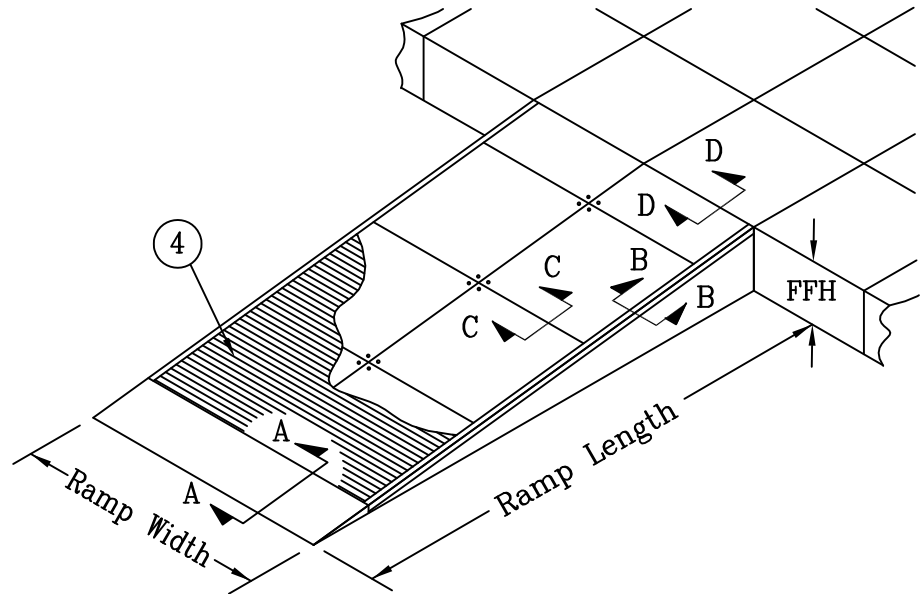
SECTION B  
AT SIDE OF RAMP



SECTION C



SECTION D  
AT TOP OF RAMP



No.	DESCRIPTION
1	Cornerbolt Panel
2	Swivel Pedestal Head
3	Pedestal Base
4	Raised Disc Rubber Tile or Carpet Tile Surface
5	Aluminum Rampshoe
6	Cornerbolt Fastener
7	Concrete Anchor Screw
8	Aluminum Top Angle
9	Bottom Angle
10	Aluminum Fascia Plate
11	Stringer



COMPUTER FLOORS, INC.

19 RICHMOND STREET  
CLIFTON, NEW JERSEY 07011  
(973) 340-3666 (888) 564-4998

www.computerfloors.us

TITLE:

PANEL RAMP ASSEMBLY

SCALE: NONE